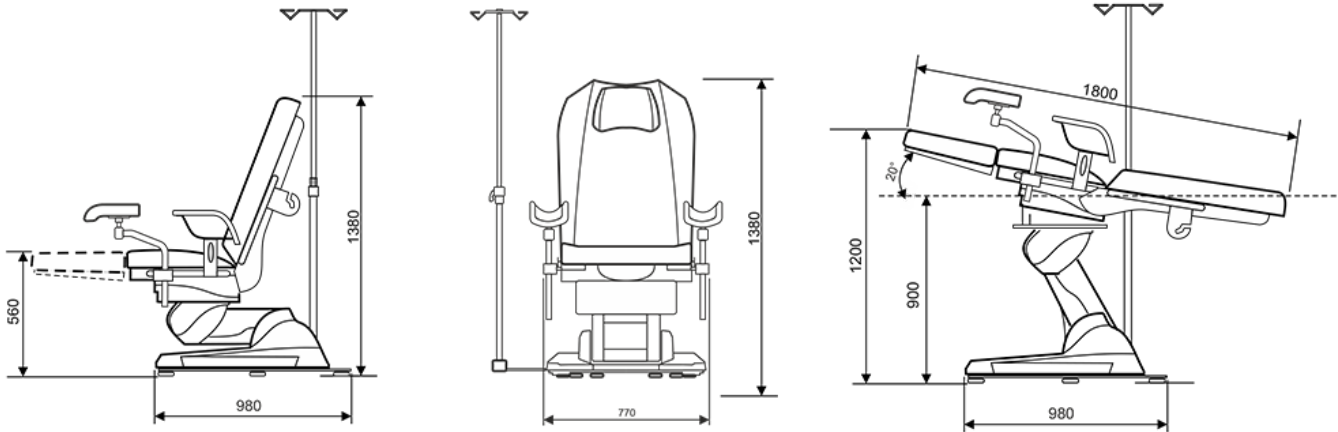


Data sheet Suprema U-500



Technical details

NAME	VALUE
Power supply tension	100-240 VAC 50/60 Hz
Fuses	F1=F2=1,6 AT
Max absorbed power	200VA
Class according to IEC 60601-1	IB
Sectionable power feeding cable	L=3mt
Lifting motor	8000N
Backrest motor	6000N
Trendelenburg motor	6000N
Lifting capacity	200 Kg
Chair weight	180 Kg
Lifting excursion, Trendelenburg inclination	350 mm, 20° +/- 2°

MEDI-CARE SOLUTIONS S.R.L

Via Pietro Nenni, 3 - 40026 Imola (BO) - Italy
 Capitale sociale: 50.000,00 Rea: BO-515493
 Partiva Iva e CF: 03390661209
 Pec: medicaresolutions@legalmail.it