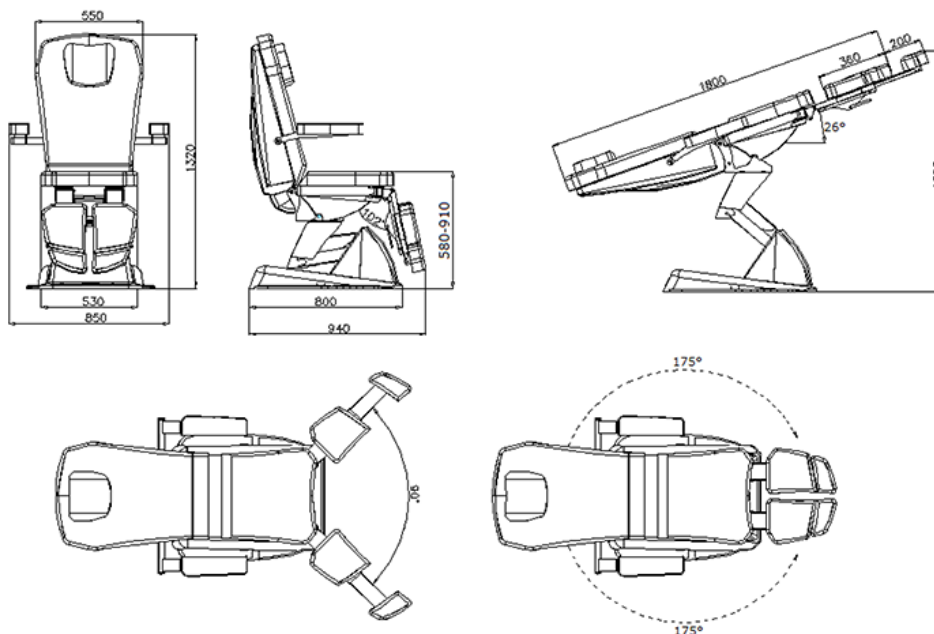


Data sheet Futura



Technical details

NAME	VALUE
Feeding tension	230 V-50 Hz
Low tension motor	24 Vdc
Lifting motor push	6000 N fast run
Backrest motor push	6000 N
Seat motor push	6000 N
Lifting Capacity	200 Kg
Absorbed power	120 V.A.
Chair weight	120 Kg
Base leght	800 mm
Maximum legrest height	1350 mm

MEDI-CARE SOLUTIONS S.R.L

Via Pietro Nenni, 3 - 40026 Imola (BO) - Italy
 Capitale sociale: 50.000,00 Rea: BO-515493
 Partiva Iva e CF: 03390661209
 Pec: medicaresolutions@legalmail.it