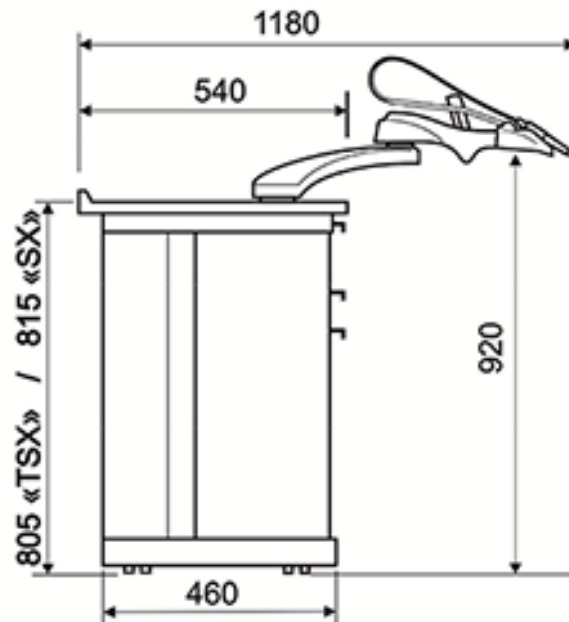
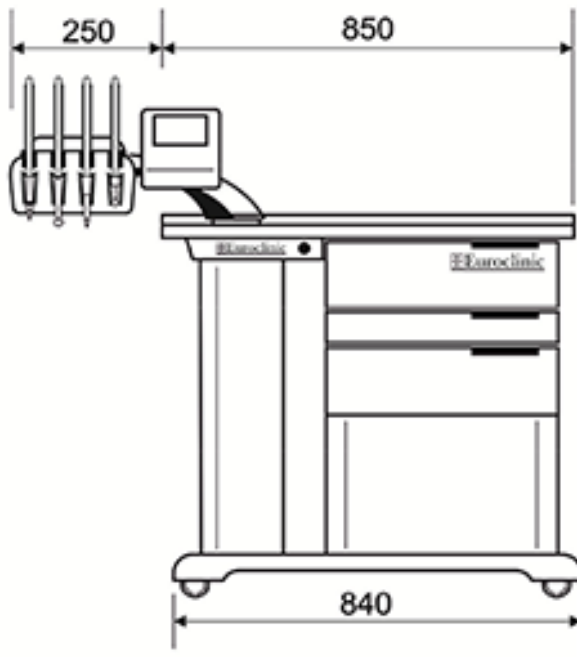
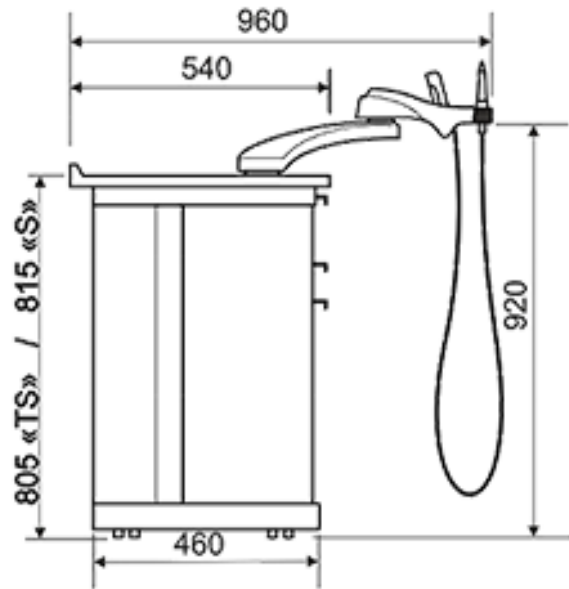
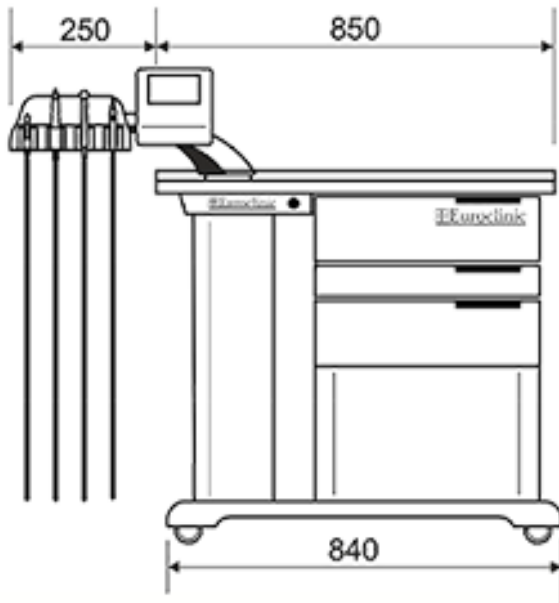


Data sheet Compact S



Technical details

MEDI-CARE SOLUTIONS S.R.L

Via Pietro Nenni, 3 - 40026 Imola (BO) - Italy
 Capitale sociale: 50.000,00 Rea: BO-515493
 Partiva Iva e CF: 03390661209
 Pec: medicaresolutions@legalmail.it

Data sheet Compact S

NAME	VALUE
Feeding tension	115/230 V
Frequency	50/60 Hz
Power absorbed (following configuration)	650 VA
Weight	80 Kg
Maximum number of instruments	4
Maximum air capacity	3,5 l/m
Maximum water pressure	2.2 Atm
Fuse Feeding	F1,F2 = 6,3A T
Fuse Plug	F=4 AT

MEDI-CARE SOLUTIONS S.R.L

Via Pietro Nenni, 3 - 40026 Imola (BO) - Italy
 Capitale sociale: 50.000,00 Rea: BO-515493
 Partiva Iva e CF: 03390661209
 Pec: medicaresolutions@legalmail.it